

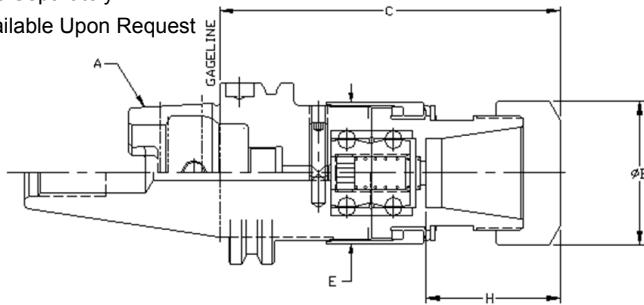
FLOATING HOLDERS



FITH-II Collet Style Floating Tap & Reamer Holder BT, CAT & HSK Shanks

Features, Application, Ordering:

- ⇒ Differential Drive Floating System for Smooth True Float
- ⇒ Thru Coolant Design with Back Pressure Flow Control
- ⇒ Adjustable Centering Mechanism, to customize the amount of pressure required to move the tool off center
- ⇒ For use with synchronized feed and spindle rotation
- ⇒ Order Collets Separately
- ⇒ Specials Available Upon Request



PART NUMBER	A SHANK	ER COLLET	B DIA	C	E DIA	H	TOTAL FLOAT
253-SA16-B30	BT30	SA16	1.10	3.28	1.26	1.29	.062
253-SA20-B30		SA20	1.34	3.49	1.26	1.50	.062
253-SA16-B40	BT40	SA16	1.10	X	1.26	1.29	.062
253-SA20-B40		SA20	1.34	X	1.26	1.50	.062
254-SA32-B40		SA32	1.97	4.48	1.96	1.86	.062
253-SA16-C40	CAT40	SA16	1.10	3.33	1.26	1.29	.062
253-SA20-C40		SA20	1.34	3.53	1.26	1.50	.062
254-SA32-C40		SA32	1.97	4.23	1.96	1.86	.062
243-SA40-C40		SA40	2.48	6.46	2.83	2.10	.093
254-SA32-C50	CAT50	SA32	1.97	4.35	1.96	1.86	.062
243-SA40-C50		SA40	2.48	5.86	2.83	2.10	.093
253-SA16-H50A	HSK50A	SA16	1.10	3.72	1.26	1.29	.062
253-SA20-H50A		SA20	1.34	3.93	1.26	1.50	.062
253-SA16-H63A	HSK63A	SA16	1.10	3.72	1.26	1.29	.062
253-SA20-H63A		SA20	1.34	3.93	1.26	1.50	.062
254-SA32-H63A		SA32	1.97	4.69	1.96	1.86	.062
243-SA40-H63A		SA40	2.48	6.14	2.83	2.10	.093
254-SA32-H100A	HSK100A	SA32	1.97	4.81	1.96	1.86	.062
243-SA40-H100A		SA40	2.48	6.30	2.83	2.10	.093
253-SA16-H40C	HSK40C	SA16	1.10	3.09	1.26	1.29	.062
253-SA20-H40C		SA20	1.34	3.30	1.26	1.50	.062
253-SA16-H50C	HSK50C	SA16	1.10	3.19	1.26	1.29	.062
253-SA20-H50C		SA20	1.34	3.40	1.26	1.50	.062
253-SA16-H63C	HSK63C	SA16	1.10	2.89	1.26	1.29	.062
253-SA20-H63C		SA20	1.34	3.10	1.26	1.50	.062
254-SA32-H63C		SA32	1.97	3.72	1.96	1.86	.062